

THIS DRAWING IS UNPUBLISHED. RELEASED FOR PUBLICATION ,19 .  
 © COPYRIGHT 19 BY AMP INCORPORATED. ALL INTERNATIONAL RIGHTS RESERVED.

LOC	DIST	P	F	ZONE	LTR	DESCRIPTION	DATE	APPD
G	14				D1	REV PER ECR 07-011918	21MAY07	JR TM

**AMP**  
WIRE RANGE

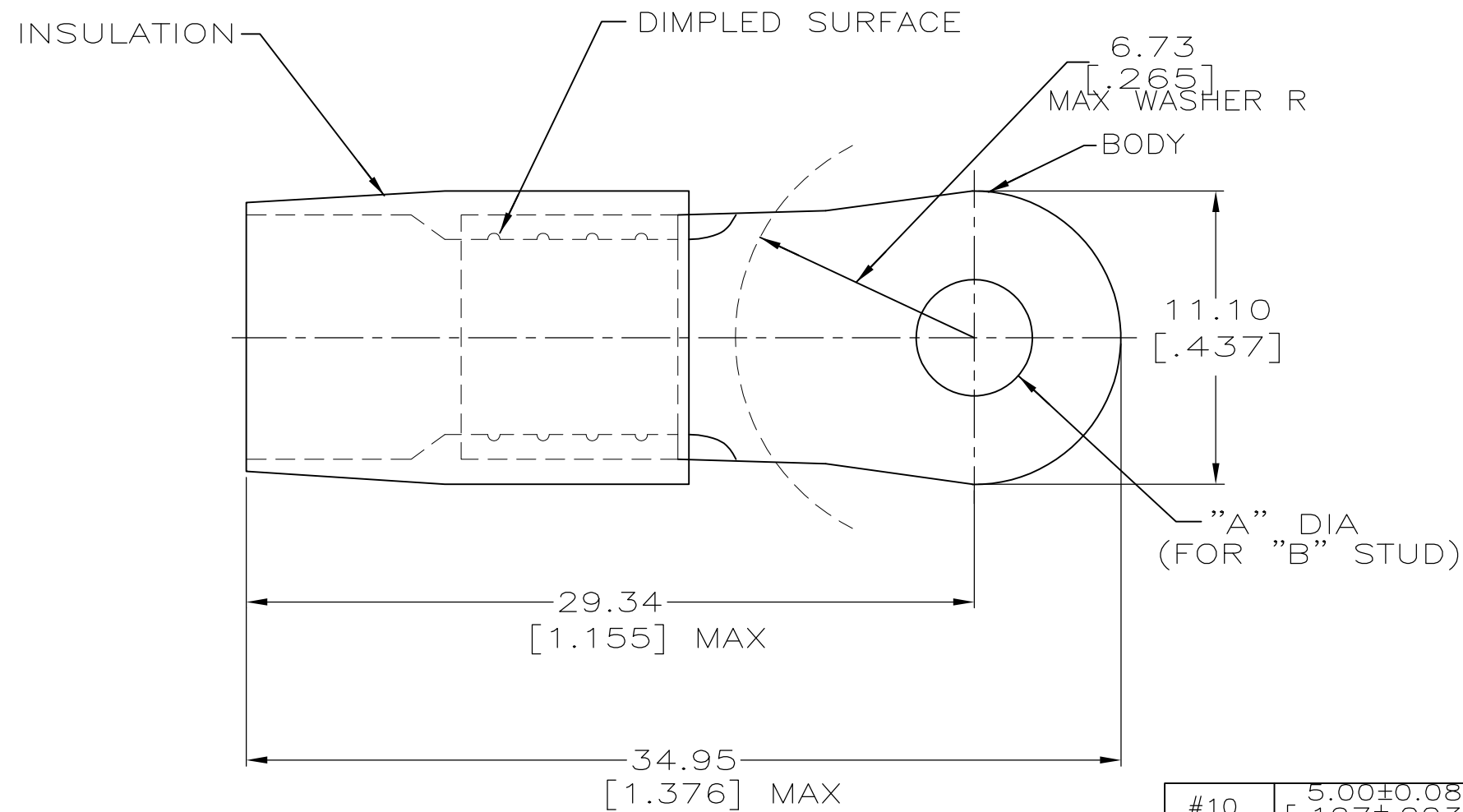
---

4 AWG  
STRANDED

**METRIC**

DIMENSIONS LISTED IN mm [ INCHES ]

1. TONGUE MATERIAL THK  $1.22 \pm 0.08$  [.048 ± .003]  
 FOR 9.70 [.382] MAX INS DIA



AMP INCORPORATED CUSTOMER SERVICE SYSTEMS	
FOR ADDITIONAL PRODUCT INFORMATION OR COPIES OF DRAWINGS AND TECHNICAL DOCUMENTS	PRODUCT INFORMATION CENTER 1-800-522-6752
FOR APPLICATION TOOLING INFORMATION	TOOLING ASSISTANCE CENTER 1-800-722-1111
FOR ORDER ENTRY	1-800-526-5142

MAX RECOMMENDED OPERATING TEMPERATURE: 105° c
VOLTAGE RATING: -
CIRCULAR MIL AREA: 16.8-26.7mm <sup>2</sup> [33,100-52,600] STRANDED

#10	5.00 ± 0.08 [.197 ± .003]	-	LOOSE PC	1-331456-0
#8	4.43 ± 0.08 [.171 ± .003]	-	PACKAGE TYPE	331456
"B"	"A"	QTY	NAME	PART NO
DO NOT SCALE PRINT. UNLESS SPECIFIED DIMENSIONS IN mm [INCHES] TOLERANCES ON: 2 PLC DEC ± 0.20 [.008] 3 PLC DEC ± - ANGLES ± -		DR 6-21-93 S.S. GOULDEN	AMP AMP Incorporated Harrisburg, PA 17105-3608	
MATERIAL COPPER PER ASTM B-152 NYLON (MIL-M-20693) TYPE 1 COLOR: YELLOW		CHK 6-21-93 R. HERSEY	TERMINAL, RING TONGUE, TERMINYL WIRE SIZE: 4 AWG	
FINISH TIN PLATE PER MIL-T-10727		APPD 6-21-93 B. BARE	SIZE	CAGE CODE
		APPD 6-21-93 M. ELLIS	B	00779
		PRODUCT SPEC	DRAWING NO	
		APPLICATION SPEC	C-331456	
		WEIGHT -	SCALE	SHEET
			NTS	1 OF 1